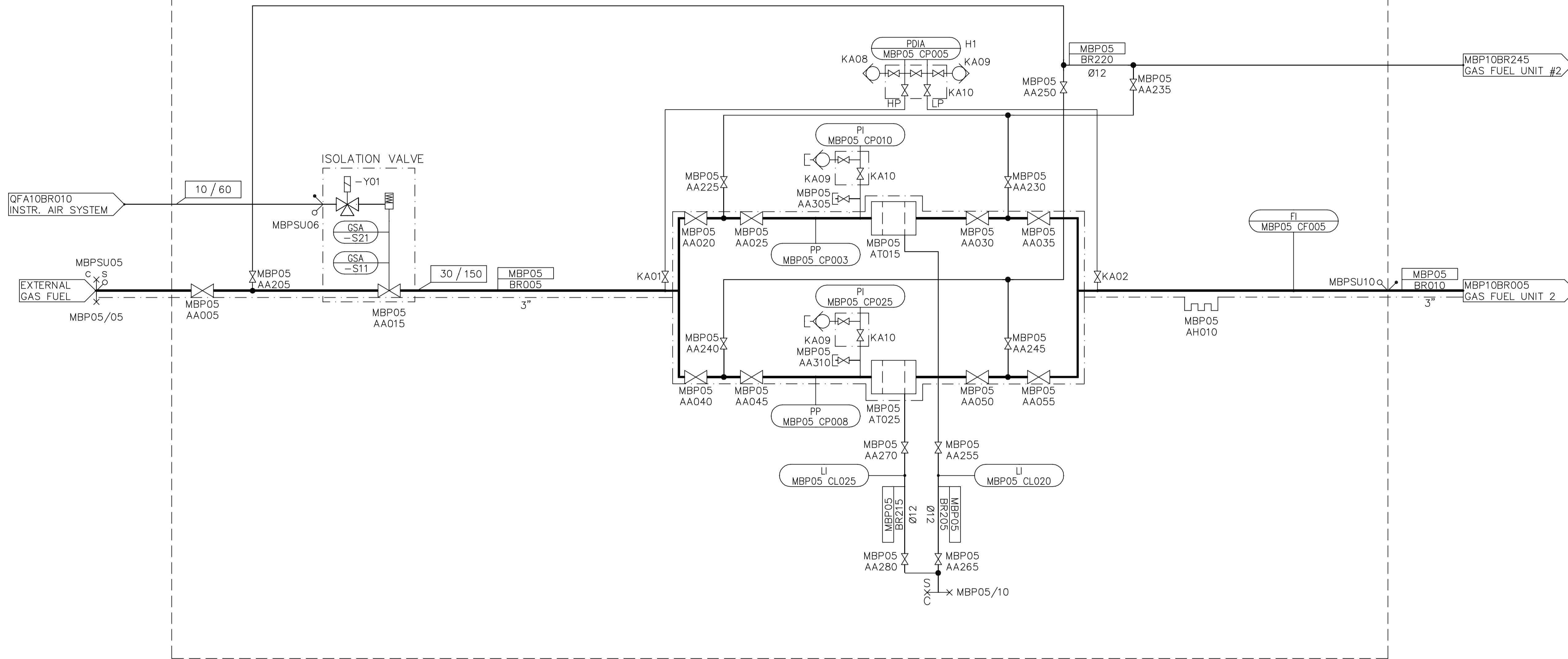


# GAS FUEL UNIT 1



We reserve all rights in this document and its contents. No part of this document may be reproduced, stored in a retrieval system, or transmitted in any form or by any means, electronic, mechanical, photocopying, recording, or by any information storage and retrieval system, without the prior written permission of Siemens Aktiengesellschaft, Munich, Germany.

- B926 = UNIT 01
- B927 = UNIT 02
- B925 = UNIT 03
- B4516 = UNIT 04
- B4518 = UNIT 05
- B4555 = UNIT 06
- B4556 = UNIT 07
- B4557 = UNIT 08
- B4558 = UNIT 09

M FB 103  
PHASE 0

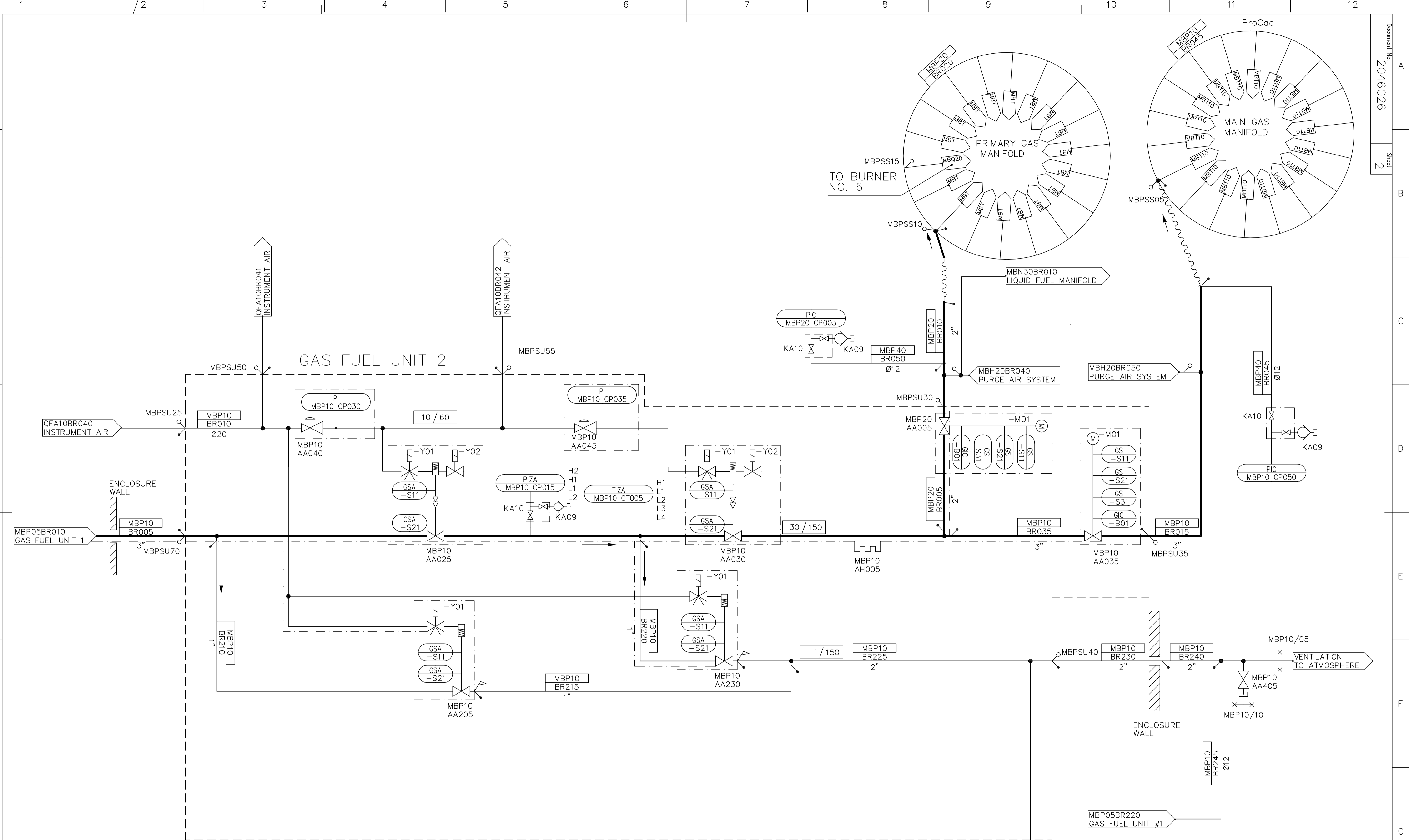
**LEGEND FOR SYMBOLS**

- DELIVERY LIMIT:  
C=CUSTOMER  
S=SIEMENS
- PIPE LIMIT
- SYSTEM LIMIT
- DESIGN DATA LIMIT
- DESIGN PRESS./TEMP.

Note: Mechanical design of system 150°C  
Normal operation data max.60°C  
Normal operation data min.-15°C

Original Date 03.11.12	Based on Doc. No / Latest revision 992879 / 7	Title GAS FUEL SYSTEM		
Appr. by 2005-03-08 Karin Brünning	Designation MBP	Lang. E		
Checked by 2005-03-08 Göran Andersson	Prepared by SUMA/M.EKMAN	No. of sh. 2		
Latest revision d	Archive	Resp. dept. GPML	Order No. B4516	Plant or type YAMAMA CEMENT
HC 9100	SIEMENS			Document No. 2046026
				Sheet 1

d	AS BUILT	06.12.22	FL
Latest rev.	Revision text	Rev. date	Prepared by



We reserve all rights in this document and its contents. No part of this document may be reproduced, stored in a retrieval system, or transmitted in any form or by any means, electronic, mechanical, photocopying, recording, or by any information storage and retrieval system, without the prior written permission of Siemens AG.

**LEGEND FOR SYMBOLS**

- DELIVERY LIMIT:  
C=CUSTOMER  
S=SIEMENS
- PIPE LIMIT
- SYSTEM LIMIT
- DESIGN DATA LIMIT
- DESIGN PRESS./TEMP.

d	AS BUILT	06.12.22	FL
Latest rev.	Revision text	Rev. date	Prepared by

Note: Mechanical design of system 150°C  
Normal operation data max. 60°C  
Normal operation data min. -15°C

- B926 = UNIT 01
- B927 = UNIT 02
- B925 = UNIT 03
- B4516 = UNIT 04
- B4518 = UNIT 05
- B4555 = UNIT 06
- B4556 = UNIT 07
- B4557 = UNIT 08
- B4558 = UNIT 09

M FB 103  
PHASE 0

Original Date 03.11.12	Based on Doc. No / Latest revision 992879 / 7	Title GAS FUEL SYSTEM
Appr. by Karin Brünning	Designation MBP	Langu. E
Checked by Goran Andersson	Prepared by SUMA/M.EKMAN	
Latest revision d	Archive	Order No B4516
HC 9100	Resp. dept. GPML	Plant or type YAMAMA CEMENT
		Document No. 2046026
		No. of sh. 2
		Sheet 2

