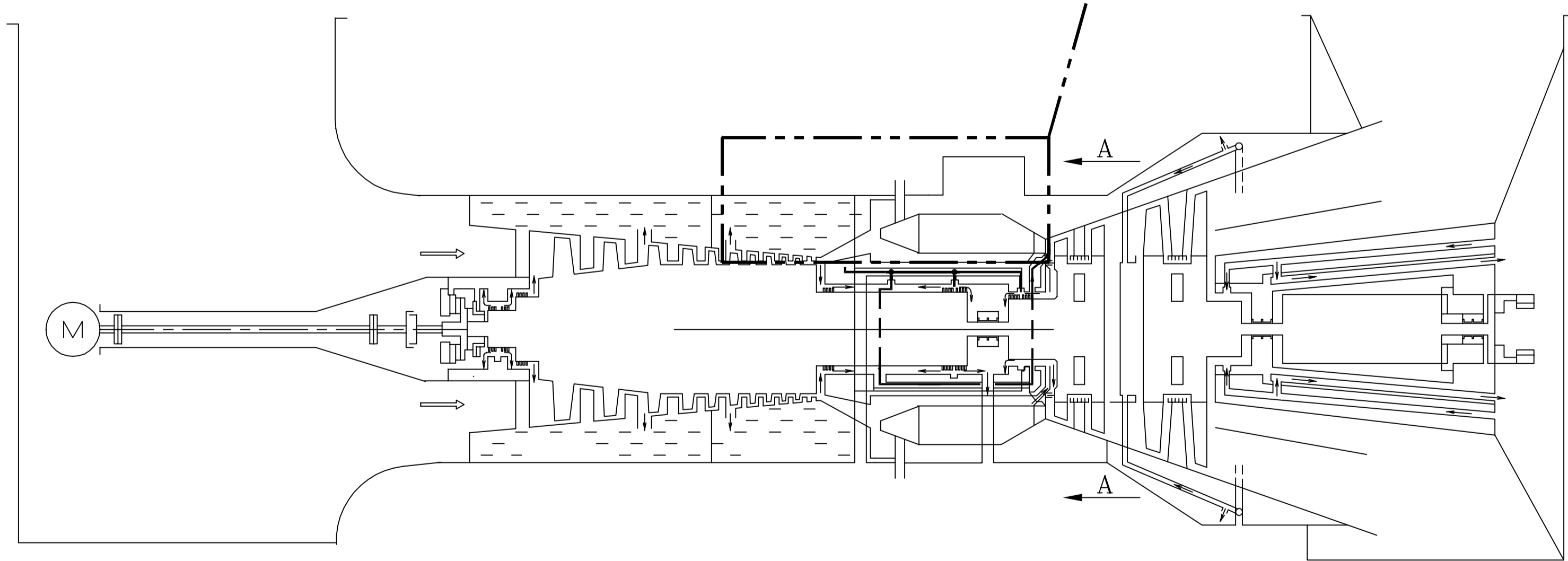
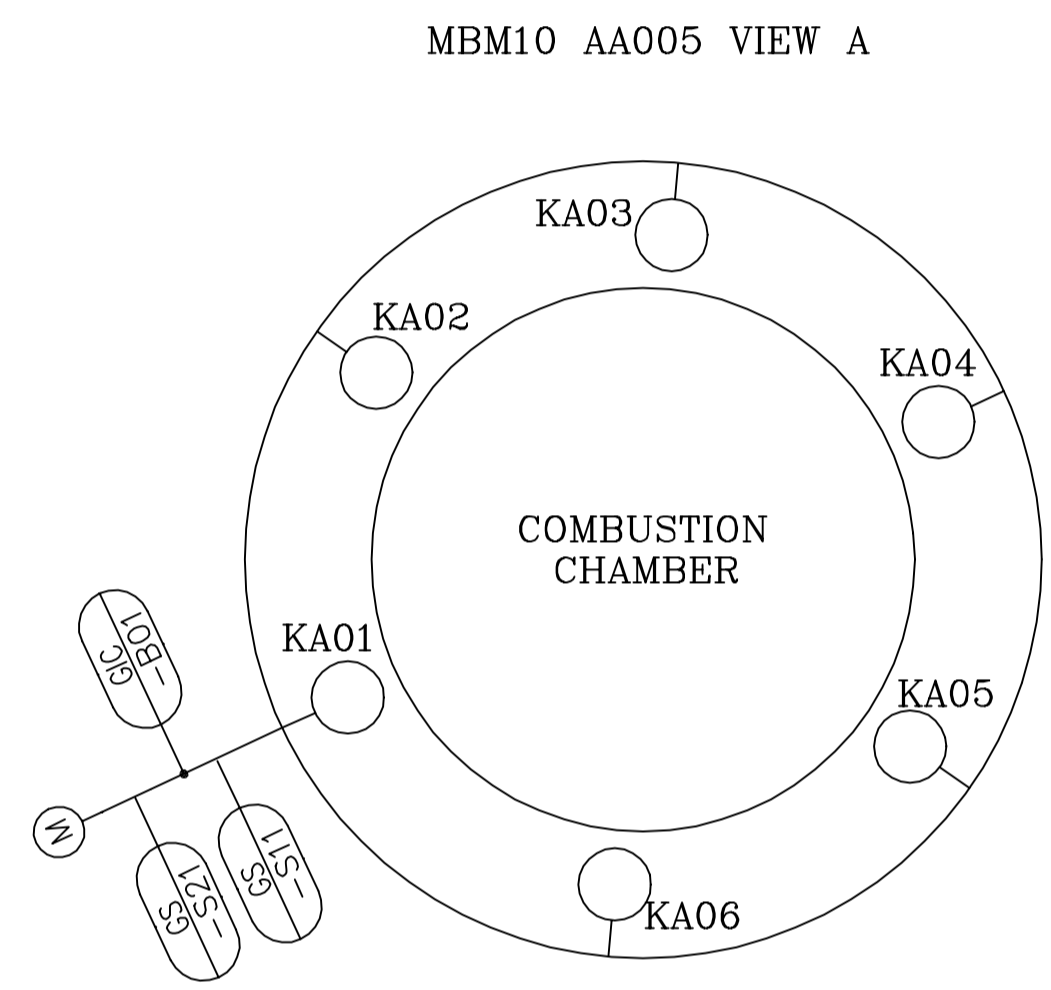
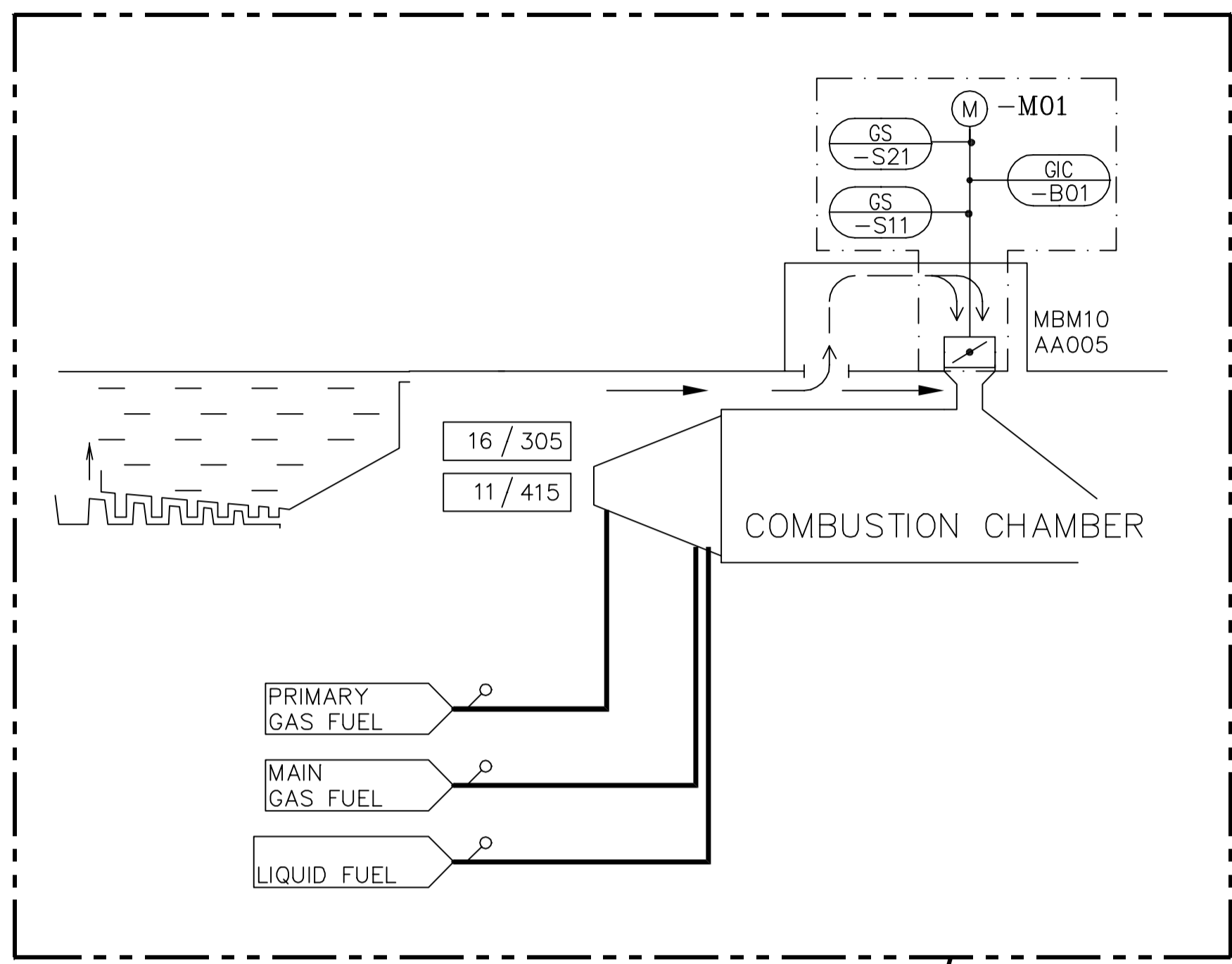


A
B
C
D
E
F
G
H

A
B
C
D
E
F
G
H



- B926 = UNIT 01
- B927 = UNIT 02
- B925 = UNIT 03
- B4516 = UNIT 04
- B4518 = UNIT 05
- B4555 = UNIT 06
- B4556 = UNIT 07
- B4557 = UNIT 08
- B4558 = UNIT 09

M FB 103
PHASE 0

LEGEND FOR SYMBOLS

- X DELIVERY LIMIT:
C=CUSTOMER
S=SIEMENS
- PIPE LIMIT
- SYSTEM LIMIT
- DESIGN DATA LIMIT
- DESIGN PRESS./TEMP.

bar(q) / °C

| | | | | | |
|--|--|------------------------------------|---------------------|-------------------------|--------------------------------|
| Original Date 04.04.14 | Based on Doc. No / Latest revision 992877 / 1 | Title COMBUSTION CHAMBER SYSTEM | | | Lang. E |
| Appr. by 2005-03-04 Asa Johansson | Designation MBM | Prepared by SUMA/B.WASSBERG | | | |
| Checked by 2005-03-03 Björn Wassberg | Latest revision a | Archive - | Resp. dept. GRPD | Order No. B4516 | Plant or type YAMAMA CEMENT |
| HC 9100 | SIEMENS | | | Document No. 2046024 | No. of sh. 1 Sheet 1 |

We reserve all rights in this document and its contents. No part of this document may be reproduced, stored in a retrieval system, or transmitted in any form or by any means, electronic, mechanical, photocopying, recording, or by any information storage and retrieval system, without the prior written permission of Siemens AG.

| | | | |
|-------------|----------------------------------|-----------|-------------|
| a | B-NUMBERS AND UNIT NUMBERS ADDED | 05.03.02 | GA/SM |
| Latest rev. | Revision text | Rev. date | Prepared by |