



# DOCUMENTATION RECTIFIER-TRANSFORMER

june -00

Type: **LOTKX-210**

Art.No: **1275-04593**

Single phase , IP-20

Primaryvoltage: 120-230-240 VAC

Secondaryvoltage: 24 VDC - smoothed

Secondarycurrent: 10 A

Frequency: 50-60 Hz

Ripple level: 6,5% , (3 Vpp)

ta: 40°C (maximum ambient temperature)

d.c: 100% (continuos load)

Rated secondary voltage calculated at 80 % load

Temperature class B, 130°C

Losses: Po 13 W , Pb 48 W

A: 200 mm

B: 100 mm

C: 175 mm

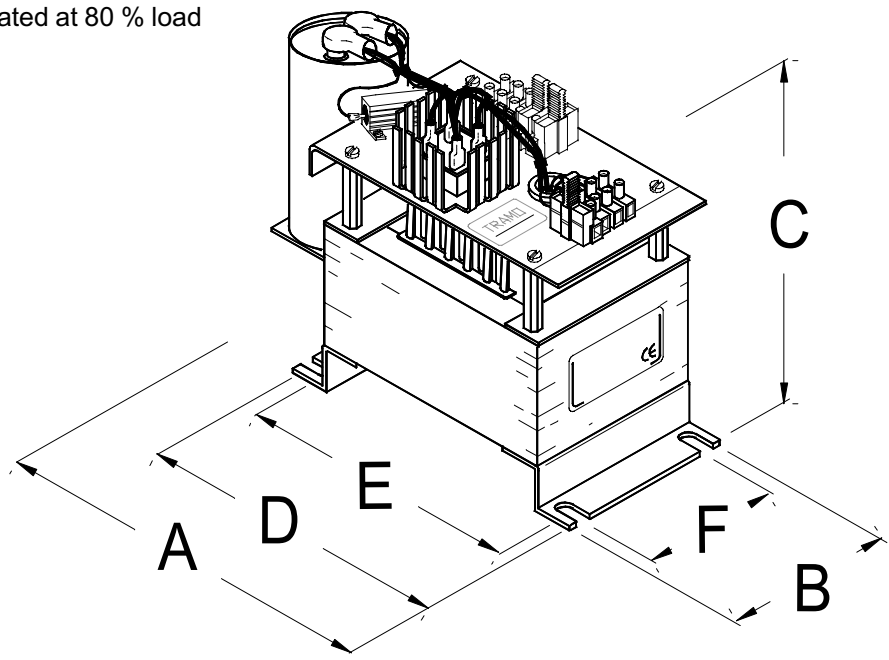
D: 155 mm

E: 145 mm

F: 80 mm

Slit: 7 mm

Weight: 6,9 kg



*The drawing is not in every single detail realistic,  
but all measurements are correct.*

## Components:

Spoolframe  
Lacquerisolated copperwire  
Layerisolation  
Isolationhose  
Rectifier bridge  
Capacitor  
Resistor  
Terminals

## Type:

Durethan  
Class H 180  
Mylar  
Natvar 400  
KBPC 3502  
Elyt,long life  
HS 15  
Si

## Manufacturer:

R.Michael DE  
Dahréntråd SE  
DuPont US  
Natvar Co US  
Lite-On TW  
Rifa SE  
Arcol GB  
Adels DE

## UL-approved No:

E 108894 (M)  
E 101843  
E 9387 (M)  
E 15069 A  
E 95060  
\_\_\_\_\_  
\_\_\_\_\_  
\_\_\_\_\_

Produced according to standard IEC 742 / EN 60742 , EN 50081-2 , EN 50082-2



Manufactured by **TRAMO-ETV AB , SE-241 92 ESLÖV**

# DOCUMENTATION RECTIFIER-TRANSFORMER

june -00

Type: **LOTKX-212**

Art.No: **1275-04595**

Single phase , IP-20

Primaryvoltage: 120-230-240 VAC

Secondaryvoltage: 24 VDC - smoothed

Secondarycurrent: 19 A

Frequency: 50-60 Hz

Ripple level: 6% , (2,8 Vpp)

ta: 40°C (maximum ambient temperature)

d.c: 100% (continuos load)

Rated secondary voltage  
calculated at 80 % load

Temperature class B, 130°C

Losses: Po 20 W , Pb 87 W

A: 250 mm

B: 125 mm

C: 225 mm

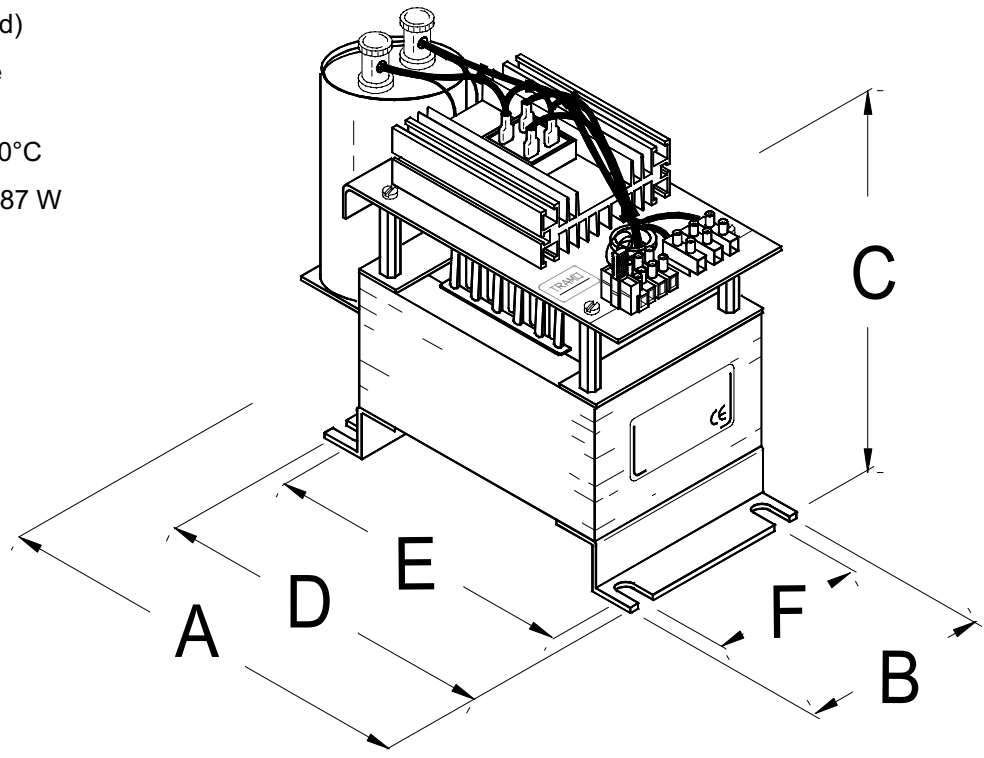
D: 190 mm

E: 175 mm

F: 100 mm

Slit: 7 mm

Weight: 11,8 kg



*The drawing is not in every single detail realistic,  
but all measurements are correct.*

## Components:

Spoolframe  
Lacquerisolated copperwire  
Layerisolation  
Isolationhose  
Rectifier bridge  
Capacitor  
Resistor  
Terminals, primary  
Terminals, secondary

## Type:

Durethan  
Class H 180  
Mylar  
Natvar 400  
KBPC 3502  
Elyt,long life  
HS 15  
Si  
HE6H WPR

## Manufacturer:

R.Michael DE  
Dahréntråd SE  
DuPont US  
Natvar Co US  
Lite-On TW  
Rifa SE  
Arcol GB  
Adels DE  
Helag SE

## UL-approved No:

E 108894 (M)  
E 101843  
E 9387 (M)  
E 15069 A  
E 95060  
\_\_\_\_\_  
\_\_\_\_\_  
\_\_\_\_\_  
\_\_\_\_\_

Produced according to standard IEC 742 / EN 60742 , EN 50081-2 , EN 50082-2



Manufactured by **TRAMO-ETV AB , SE-241 92 ESLÖV**

# DOCUMENTATION TRANSFORMER

Type: OVOT-25/0,5

Art.No: 07041

Single phase , voltage transformer

Maximum burden :25 VA

Primaryvoltage: 63,5-110 VAC

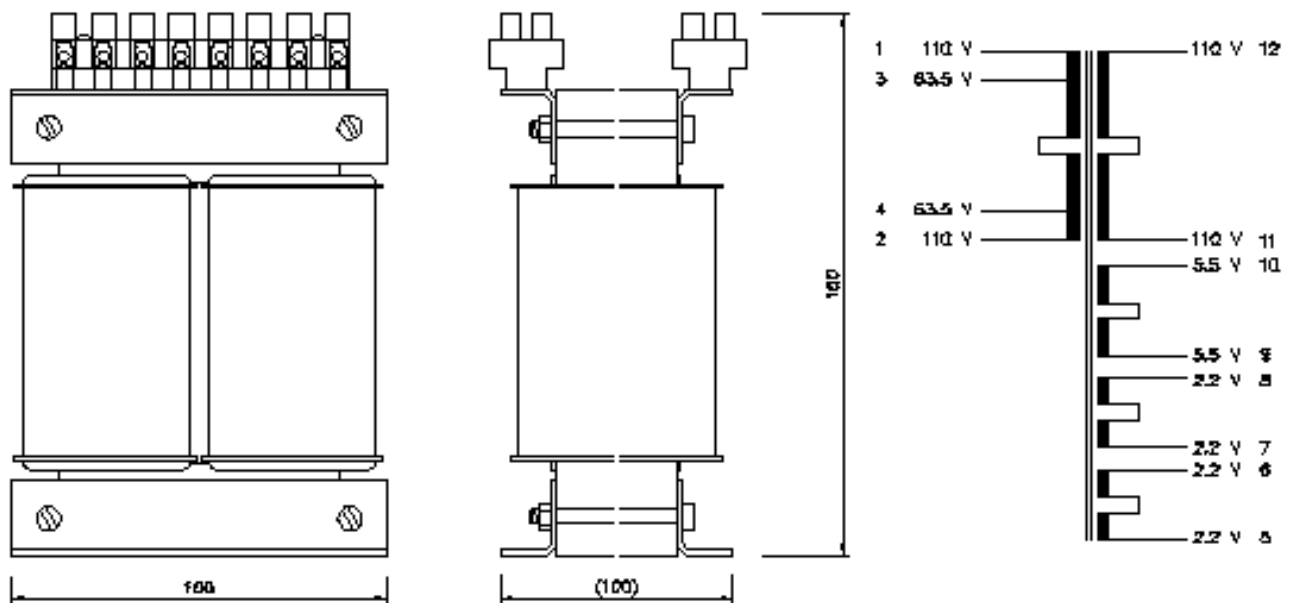
Secondaryvoltage: 110/5,5/2,2/2,2 VAC

Accuracy class 0,5

Frequency: 50-60 Hz

ta: 40°C (maximum ambient temperature)

Temperature class B, 130°C



## Transformer components:

Spoolframe  
Lacquerisolated copperwire  
Layerisolation  
Isolationhose

## Type:

Durethan  
Class H 180  
Mylar  
Natvar 400

## Manufacturer:

R.Michael  
Dahréntråd  
DuPont  
Natvar Co

## UL-approved No:

D E 108894 (M)  
S E 101843  
US E 9387 (M)  
US E 15069 A

Produced according to standard IEC 186, SS 4270813



Manufactured by **TRAMO-ETV AB** , SE-241 92 ESLÖV