



**General Description:**

Bk 14:  
4-digit impulse counter with manual reset  
Bk 16:  
6-digit adding counter without reset  
SBk 14 and SBk 16:  
Impulse counter suitable for rail mounting according to DIN 46277.  
ABk 14 and ABk 16:  
Base mount counter

**Fields of application:**

Registering quantities, time charges, events etc.

**Technical data:**

Electrical connection:  
silver-plated round pins 1,5 Ø with push-on connectors  
ABk 14.01, ABk 16.00, SBk 14.01 and SBk 16.00:  
connecting leads 2 x 0,5 mm<sup>2</sup>, NYFAZ, 0,5 m long.  
Colour of figures:  
white on black background.  
Size of figures: 2 x 4 mm  
Colour of counter: grey  
Mounting position: optional

**Rated voltages:**

for model 0, I, a:  
12, 24, 48, 110, 220 VDC ± 10%  
24, 48, 110, 220 VAC ± 10%

**Shaft: rustproof**

Service life approx. 200 · 10<sup>6</sup> impulses

Weight: without reset 66 g  
with reset 70 g

**Test voltage:**

2000 V ~ effective according to VDE 0435

**Acceleration influence:**

3 g up to 10 Hz } independent of mounting position  
6 g up to 15 Hz }  
10 g 20 – 300 Hz }

**Type Series:**

4 digits without reset	6 digits without reset	4 digits with reset	Description
	Bk 16.10	Bk 14.11	flush mount with 2 mounting holes
	Bk 16.20	Bk 14.21	flush mount with spring clip
	ABk 16.00	ABk 14.01	base mount
SBk 14.00	SBk 16.00	SBk 14.01	rail mounting according to DIN 46277

**Options:**

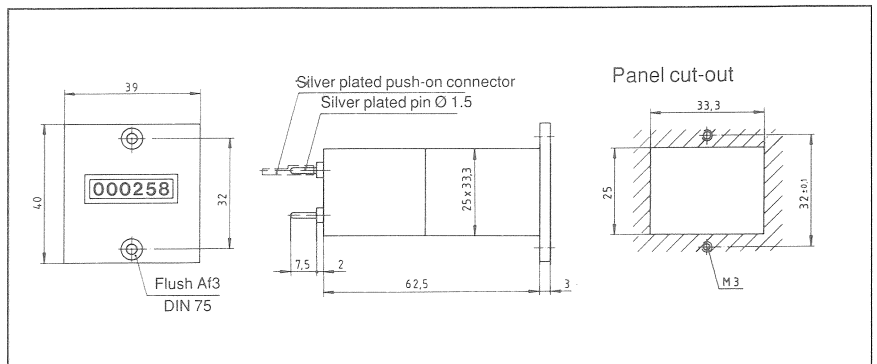
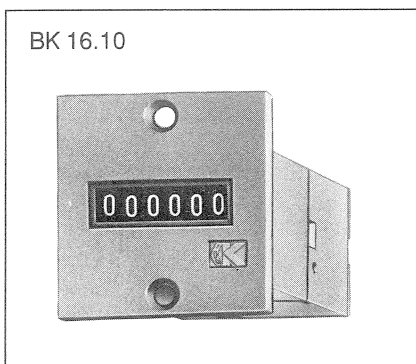
1. Key-Locking zero-reset (Order Code "vs", e. g. BK 14.11 vs)
2. Colour of housing: black (For Art.-No. ref. to type)

**Order information:**

Art.-No.  
If special voltages etc. are requested pls. state exact counter type, voltage and model.  
E. g. BK 14.21, 220 VAC a.

**Counting mechanism:**

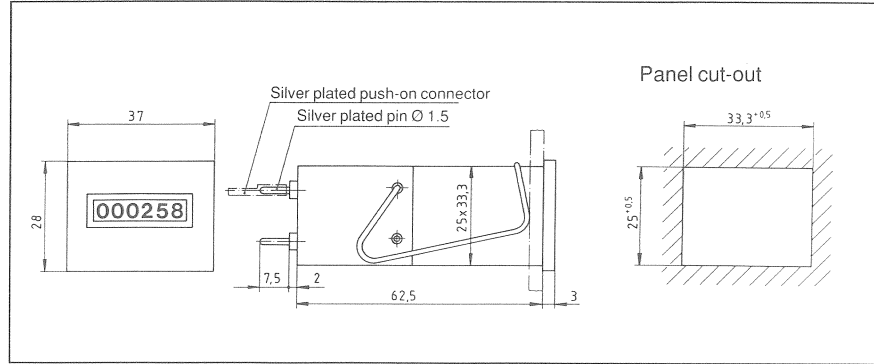
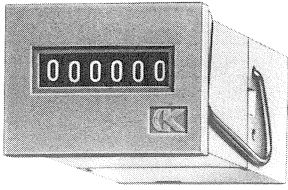
Voltage	Model	Max. impulse freq.	Min. impulse on time	Min. impulse interval	Impulse ratio	On time	Power consumption	Max. perm. ripple voltage	Ambient temp. °C
DC	0	10/sec.	60 ms	40 ms	3 : 2	100%	appr. 1 W	48%	- 10
	I	25/sec.	24 ms	16 ms	3 : 2	100%	appr. 2 W		+ 60
AC	a	18/sec.	22.2 ms	33.3 ms	2 : 3	100%	appr. 2.9 VA	-	- 10 +55



BK 16.10	12 V Art.-No.	24 V Art.-No.	110 V Art.-No.	220 V Art.-No.
DC (10 Imp/s)	1.190.100.012	1.190.100.013		
DC (25 Imp/s)	1.190.100.032	1.190.100.033		
AC (18 Imp/s)		1.190.100.061	1.190.100.064	1.190.100.066

Colour of housing black: Art.-No. 1.190.101.XXX

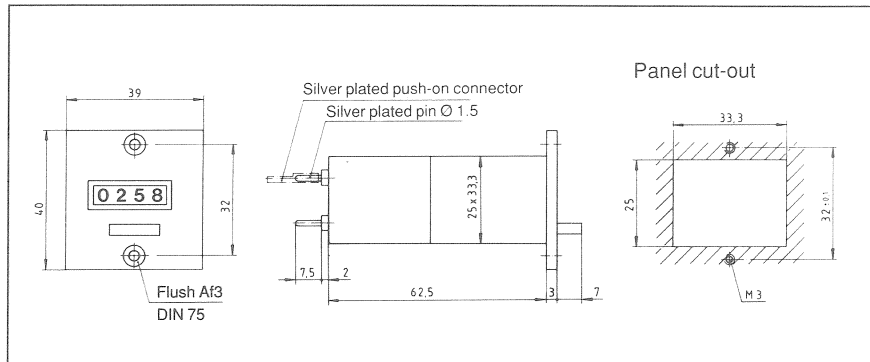
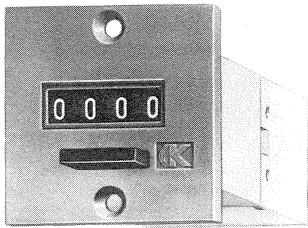
BK 16.20



BK 16.20	12 V Art.-No.	24 V Art.-No.	110 V Art.-No.	220 V Art.-No.
DC (10 Imp/s)	1.190.200.012	1.190.200.013		
DC (25 Imp/s)	1.190.200.032	1.190.200.033		
AC (18 Imp/s)		1.190.200.061	1.190.200.064	1.190.200.066

Colour of housing black: Art.-No. 1.190.201.XXX

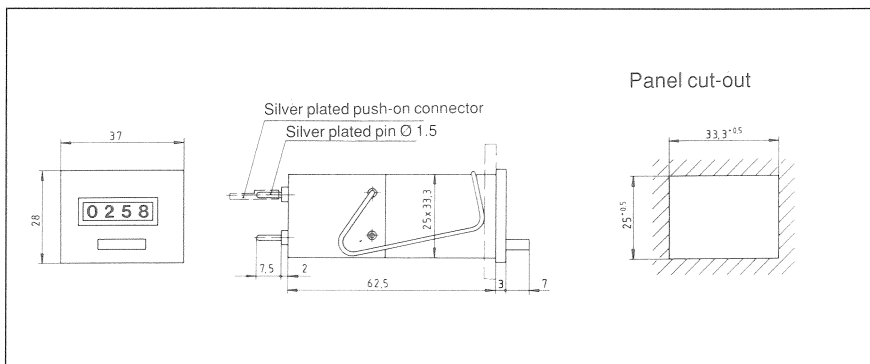
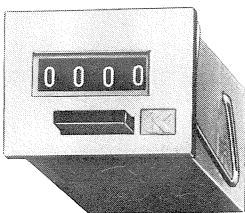
BK 14.11



BK 14.11	12 V Art.-No.	24 V Art.-No.	110 V Art.-No.	220 V Art.-No.
DC (10 Imp/s)	1.180.110.012	1.180.110.013		
DC (25 Imp/s)	1.180.110.032	1.180.110.033		
AC (18 Imp/s)		1.180.110.061	1.180.110.064	1.180.110.066

Colour of housing black: Art.-No. 1.180.111.XXX

BK 14.21



BK 14.21	12 V Art.-No.	24 V Art.-No.	110 V Art.-No.	220 V Art.-No.
DC (10 Imp/s)	1.180.210.012	1.180.210.013		
DC (25 Imp/s)	1.180.210.032	1.180.210.033		
AC (18 Imp/s)		1.180.210.061	1.180.210.064	1.180.210.066

Colour of housing black: Art.-No. 1.180.211.XXX